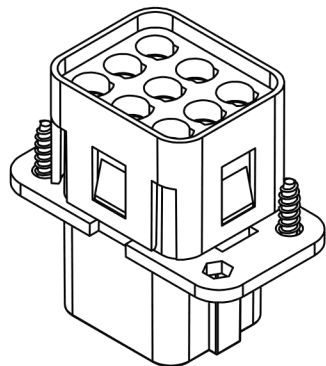
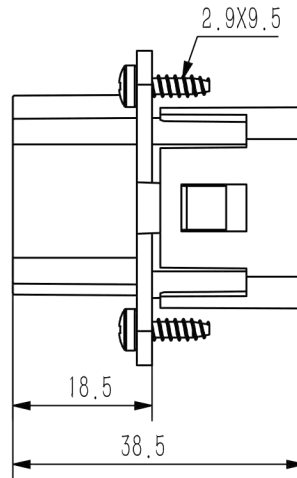
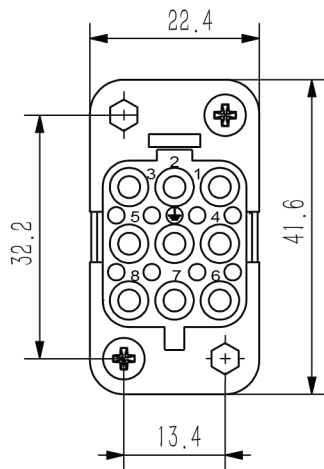


A

B



#### 技术参数:

##### 插芯:

- 插针数: 8+PE
- 额定电流: 16A
- 额定电压: 500V
- 额定脉冲电压: 6kV
- 污染等级: 3
- 安装金属外壳时: 16A 230/400V 4kV 3
- 依据UL/CSA的额定电压: 600V
- 绝缘阻抗:  $>10^{10}\Omega$
- 材料: 聚碳酸酯
- 颜色: RAL 7032 (浅灰色)
- 温度范围:  $-40^{\circ}\text{C} - +125^{\circ}\text{C}$
- 依据UL 94的阻燃等级: V0
- 可插拔次数:  $>500$

##### 插针:

- 接线方式: 冷压连接
- 材料: 铜合金
- 表面处理:
  - 镀银
  - 镀金
- 接触电阻:  $<1\text{m}\Omega$
- 线径范围:
  - 冷压连接:  $0.14-4\text{mm}^2(26-12\text{AWG})$
  - 部分装备情况下可达到 $4\text{mm}^2$

##### 外壳:

- 材料:
  - 塑料外壳: 热塑性塑料
  - 金属外壳: 金属
- 连锁元件:
  - 塑料外壳: 聚酰胺 (尼龙)
  - 金属外壳: 不锈钢
- 外壳密封: 丁腈橡胶
- 温度范围:  $-40^{\circ}\text{C} - +125^{\circ}\text{C}$
- 依据UL 94的阻燃等级:
  - 塑料外壳: V0
  - 防护等级: IP65 (连锁状态, IEC 60529)

#### Technical specification:

##### Inserts:

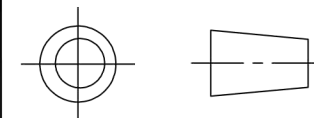
- No. of contact: 8+PE
- Rated current: 16A
- Rated voltage: 500V
- Rated impulse voltage: 6kV
- Pollution degree: 3
- Mounted metal hood: 16A 230/400V 4kV 3
- Rated voltage acc.to UL/CSA: 600V
- Insulation resistance:  $>10^{10}\Omega$
- Material: polycarbonate
- Colour: RAL 7032(light grey)
- Temperature range:  $-40^{\circ}\text{C} - +125^{\circ}\text{C}$
- Flammability acc.to UL 94: V0
- Mating cycles:  $>500$

##### Contacts:

- Terminal: crimp terminal
- Material: copper alloy
- Surface:
  - Hard-silver plated
  - Hard-gold plated
- Contact resistance:  $<1\text{m}\Omega$
- Wire gauge:
  - Crimp terminal:  $0.14-4\text{mm}^2(26-12\text{AWG})$
  - partly loaded up to  $4\text{mm}^2$  is possible

##### Hoods/Housings:

- Material:
  - Plastic hoods/housings: thermoplastic
  - Metal hoods/housings: metal
- Locking element:
  - Plastic hoods/housings: polyamide
  - Metal hoods/housings: stainless steel
- Hoods/Housings seal: NBR
- Temperature range:  $-40^{\circ}\text{C} - +125^{\circ}\text{C}$
- Flammability acc.to UL 94: V0
- Degree of protection: IP65  
(acc.to IEC 60529 for coupled connector)



订货号 Order No.

版本  
REV

重量  
weight

比例  
Scale

产品代号 Part Code

V1.0

14g

1:1

SO-HQ-008/0-FC



浙江思美克电气科技有限公司  
ZHEJIANG SMICO ELECTRICAL TECHNOLOGY CO.,LTD