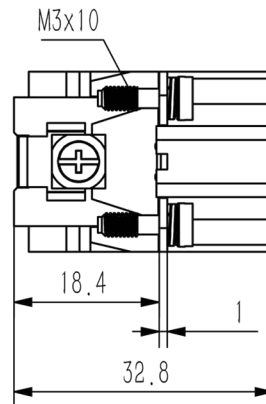
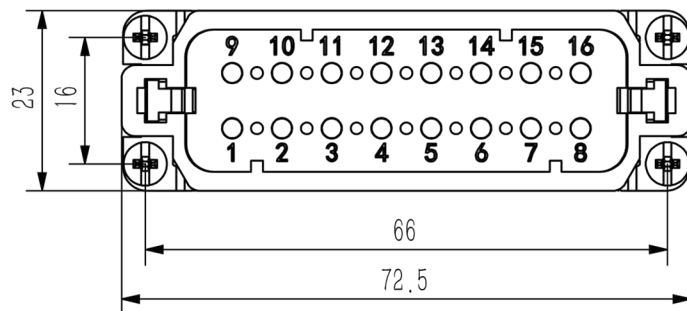
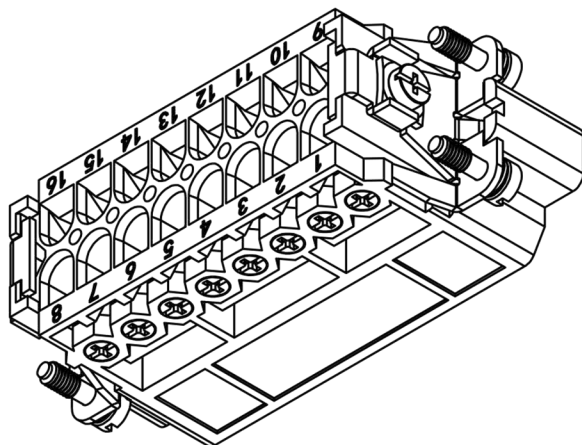
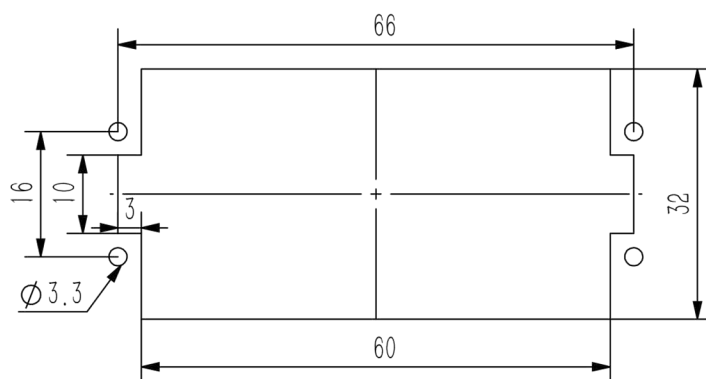


A



B



技术参数:

插芯:

- 插针数: 16+PE
- 额定电流: 16A
- 额定电压: 250V
- 额定脉冲电压: 4kV
- 污染等级: 3
- 依据UL/CSA的额定电压: 600V
- 绝缘阻抗: $> 10^{10}\Omega$
- 材料: 聚碳酸酯
- 颜色: RAL 7032 (浅灰色)
- 温度范围: $-40^{\circ}\text{C} - +125^{\circ}\text{C}$
- 依据UL 94的阻燃等级: V0
- 可插拔次数: > 500

插针:

- 接线方式: 螺钉连接
- 材料: 铜合金
- 表面处理: 镀银
- 接触电阻: $< 1\text{m}\Omega$
- 线径范围: $0.75-2.5\text{mm}^2$ (18-14 AWG)
- 拧紧/检测力矩: $0.5\text{N}\cdot\text{m}$

Technical specification:

Inserts:

- No. of contact: 16+PE
- Rated current: 16A
- Rated voltage: 250V
- Rated impulse voltage: 4kV
- Pollution degree: 3
- Rated voltage acc.to UL/CSA: 600V
- Insulation resistance: $> 10^{10}\Omega$
- Material: polycarbonate
- Colour: RAL 7032(light grey)
- Temperature range: $-40^{\circ}\text{C} - +125^{\circ}\text{C}$
- Flammability acc.to UL 94: V0
- Mating cycles: > 500

Contacts:

- Terminal: screw terminal
- Material: copper alloy
- Surface: hard-silver plated
- Contact resistance: $< 1\text{m}\Omega$
- Wire gauge: $0.75-2.5\text{mm}^2$ (18-14 AWG)
- Tightening/Test torque: $0.5\text{N}\cdot\text{m}$

		订货号 Order No.	
		产品代号 Part Code	
版本 REV	重量 weight	比例 Scale	SO-HA-016-M
V1.0	65.9g	1:1	



浙江思美克电气科技有限公司
ZHEJIANG SMICO ELECTRICAL TECHNOLOGY CO.,LTD