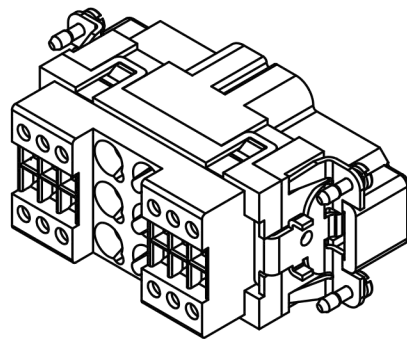
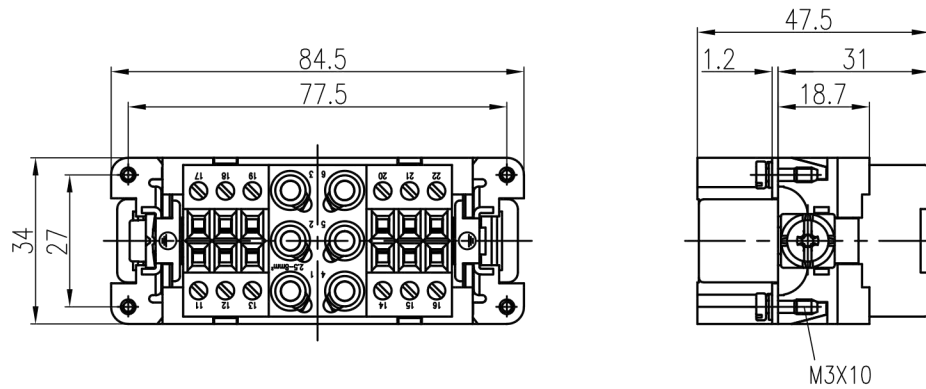


A

B



技术参数:

插芯:

- 插针数: 6/12+PE
- 额定电流:
 - 电力区: 40A
 - 信号区: 10A
- 额定电压:
 - 电力区: 690V
 - 信号区: 230V/400V
- 额定脉冲电压:
 - 电力区: 6kV
 - 信号区: 4kV
- 污染等级: 3
- 绝缘阻抗: $>10^{10}\Omega$
- 材料: 聚碳酸酯
- 颜色: RAL 7032 (浅灰色)
- 温度范围: $-40^{\circ}\text{C} - +125^{\circ}\text{C}$
- 依据UL 94的阻燃等级: V0
- 可插拔次数: >500

插针:

- 接线方式: 轴向螺栓连接
- 材料: 铜合金
- 表面处理: 镀银
- 接触电阻:
 - 强电针: $<0.5\text{m}\Omega$
 - 信号针: $<3\text{m}\Omega$
- 线径范围:
 - 强电针: $2.5-8\text{mm}^2$
 - 信号针: $0.2-2.5\text{mm}^2(24-14\text{ AWG})$
- 最大绝缘直径:
 - 强电针: 6.1mm
- 拧紧力矩:
 - 强电针:

mm^2 : 2.5	4	6	10
$\text{N}\cdot\text{m}$: 1.5	1.5	2	2
 - 信号针: $0.8\text{N}\cdot\text{m}$
- 剥线长度:
 - 强电针:

mm^2 : 2.5	4	6	10
mm : $5^{\pm 1}$	$5^{\pm 1}$	$8^{\pm 1}$	$8^{\pm 1}$
 - 信号针: 7.5mm
- 工具:
 - 内角扳手: SW-2*40

Technical specification:

Inserts:

- No. of contact: 6/12+PE
- Rated current:
 - Power area: 40A
 - Signal area: 10A
- Rated voltage:
 - Power area: 690V
 - Signal area: 230V/400V
- Rated impulse voltage:
 - Power area: 6kV
 - Signal area: 4kV
- Pollution degree: 3
- Insulation resistance: $>10^{10}\Omega$
- Material: polycarbonate
- Colour: RAL 7032(light grey)
- Temperature range: $-40^{\circ}\text{C} - +125^{\circ}\text{C}$
- Flammability acc.to UL 94: V0
- Mating cycles: >500
- Contacts:
 - Terminal: axial screw terminal
 - Material: copper alloy
 - Surface: hard-silver plated
 - Contact resistance:
 - Power contacts: $<0.5\text{m}\Omega$
 - Signal contacts: $<3\text{m}\Omega$
 - Wire gauge:
 - Power contacts: 2.5-8mm²
 - Signal contacts: 0.2-2.5mm²(24-14 AWG)
 - Max. insulation diameter: 6.1mm
 - Tightening torque:
 - Power contacts:

mm^2 : 2.5	4	6	10
$\text{N}\cdot\text{m}$: 1.5	1.5	2	2
 - Signal contacts: $0.8\text{N}\cdot\text{m}$
 - Stripping length:
 - Power contacts:

mm^2 : 2.5	4	6	10
mm : $5^{\pm 1}$	$5^{\pm 1}$	$8^{\pm 1}$	$8^{\pm 1}$
 - Signal contacts: 7.5mm
- Tools:
 - Hexagonal driver: SW-2*40

		订货号 Order No.	
版本 REV	重量 weight	比例 Scale	产品代号 Part Code
V1.0		1:1	SO-HK-006.1/12-M
浙江思美克电气科技有限公司 ZHEJIANG SMICO ELECTRICAL TECHNOLOGY CO.,LTD			

1

2

3

4

5

6