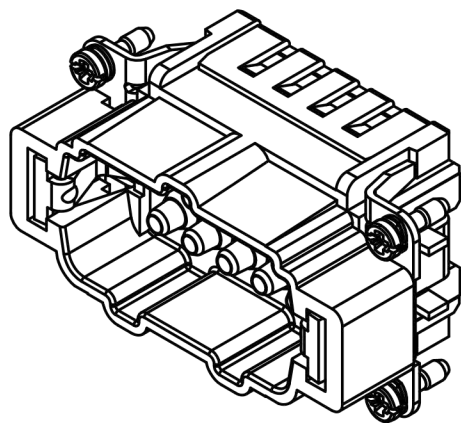


面板安装开孔图
Panel cut out



技术参数:

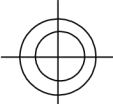


插芯:

- 插针数: 10+PE
 - 额定电流: 16A
 - 额定电压: 500V
 - 额定脉冲电压: 6kV
 - 污染等级: 3
 - 依据UL/CSA的额定电压: 600V
 - 绝缘阻抗: $>10^{10}\Omega$
 - 材料: 聚碳酸酯
 - 颜色: RAL 7032 (浅灰色)
 - 温度范围: $-40^{\circ}\text{C} - +125^{\circ}\text{C}$
 - 依据UL 94的阻燃等级: V0
 - 可插拔次数: >500
- 插针:
- 接线方式: 冷压连接
 - 材料: 铜合金
 - 表面处理:
 - 镀银
 - 镀金
 - 接触电阻: $<1\text{m}\Omega$
 - 线径范围: $0.14-4.0\text{mm}^2(26-12\text{ AWG})$
 - 剥线长度: 7.5mm
 - 工具:
 - 冷压钳: TL02G
 - 退针器: TL01

Technical specification:

Inserts:

- No. of contact: 10+PE
 - Rated current: 16A
 - Rated voltage: 500V
 - Rated impulse voltage: 6kV
 - Pollution degree: 3
 - Rated voltage acc.to UL/CSA: 600V
 - Insulation resistance: $>10^{10}\Omega$
 - Material: polycarbonate
 - Colour: RAL 7032(light grey)
 - Temperature range: $-40^{\circ}\text{C} - +125^{\circ}\text{C}$
 - Flammability acc.to UL 94: V0
 - Mating cycles: >500
- Contacts:
- Terminal: crimp terminal
 - Material: copper alloy
 - Surface:
 - hard-silver plated
 - hard-gold plated
 - Contact resistance: $<1\text{m}\Omega$
 - Wire gauge: $0.14-4.0\text{mm}^2(26-12\text{ AWG})$
 - Stripping length: 7.5mm
 - Tools:
 - Crimp contact tool: TL02G
 - Contact removal tool: TL01

 		订货号 Order No.		
		版本 REV	重量 weight	比例 Scale
V1.0			1:1	SO-HE-010-MC
 浙江思美克电气科技有限公司 ZHEJIANG SMICO ELECTRICAL TECHNOLOGY CO.,LTD				