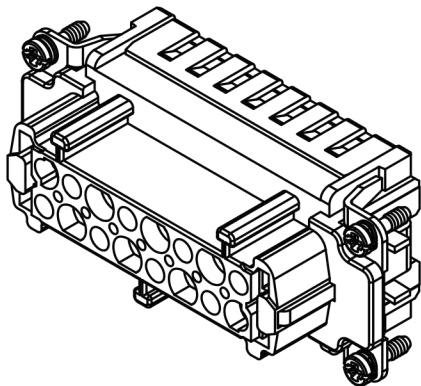


面板安装开孔图  
Panel cut out



技术参数:

插芯:

- 插针数: 16+PE
- 额定电流: 16A
- 额定电压: 500V
- 额定脉冲电压: 6kV
- 污染等级: 3
- 依据UL/CSA的额定电压: 600V
- 绝缘阻抗:  $>10^{10}\Omega$
- 材料: 聚碳酸酯
- 颜色: RAL 7032 (浅灰色)
- 温度范围:  $-40^{\circ}\text{C} - +125^{\circ}\text{C}$
- 依据UL 94的阻燃等级: V0
- 可插拔次数:  $>500$

插针:

- 接线方式: 冷压连接
- 材料: 铜合金
- 表面处理:
  - 镀银
  - 镀金
- 接触电阻:  $\leq 1\text{m}\Omega$
- 线径范围:  $0.14-4.0\text{mm}^2(26-12\text{ AWG})$
- 剥线长度: 7.5mm

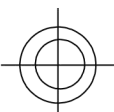
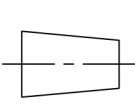

Technical specification:

Insters:

- No. of contact: 16+PE
- Rated current: 16A
- Rated voltage: 500V
- Rated impulse voltage: 6kV
- Pollution degree: 3
- Rated voltage acc.to UL/CSA: 600V
- Insulation resistance:  $>10^{10}\Omega$
- Material: polycarbonate
- Colour: RAL 7032(light grey)
- Temperature range:  $-40^{\circ}\text{C} - +125^{\circ}\text{C}$
- Flammability acc.to UL 94: V0
- Mating cycles:  $>500$

Contacts:

- Terminal: crimp terminal
- Material: copper alloy
- Surface:
  - hard-silver plated
  - hard-gold plated
- Contact resistance:  $\leq 1\text{m}\Omega$
- Wire gauge:  $0.14-4.0\text{mm}^2(26-12\text{ AWG})$
- Stripping length: 7.5mm

 		订货号 Order No.	
		产品代号 Part Code	
版本 REV	重量 weight	比例 Scale	SO-HE-016-FC
V1.0		1:1	
 <b>浙江思美克电气科技有限公司</b> ZHEJIANG SMICO ELECTRICAL TECHNOLOGY CO.,LTD			